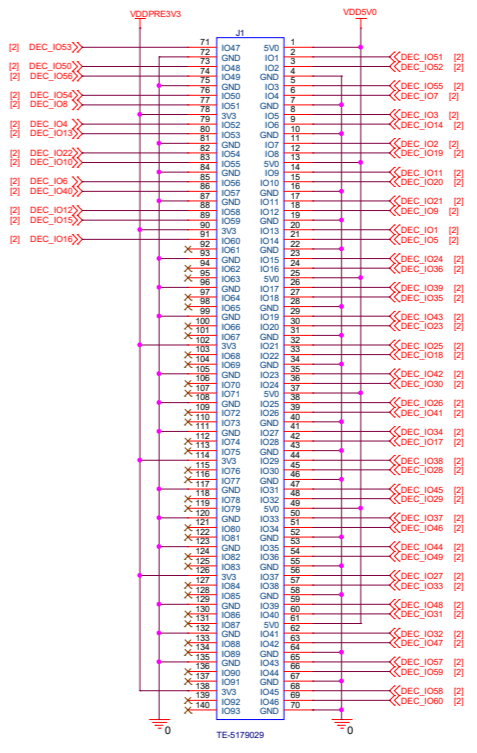
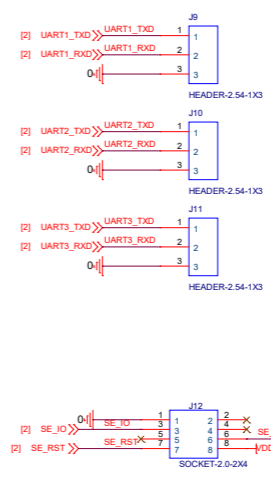
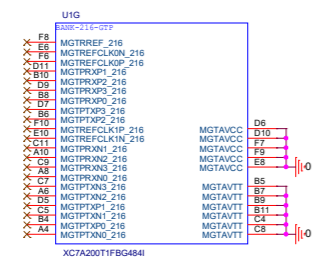
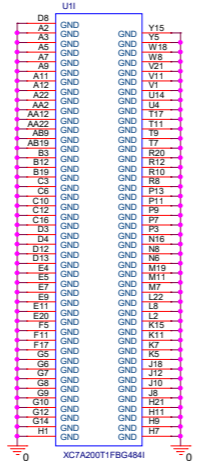
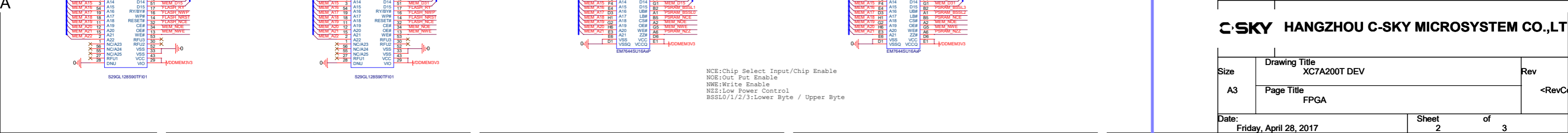
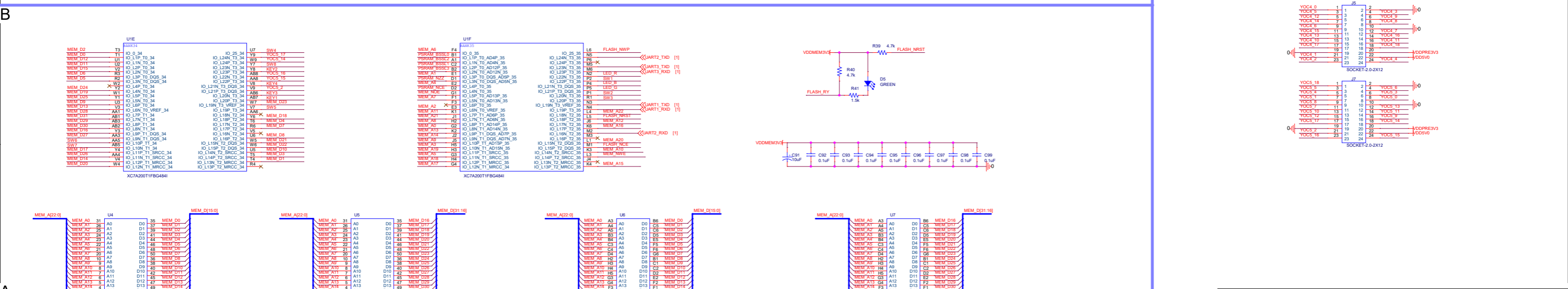
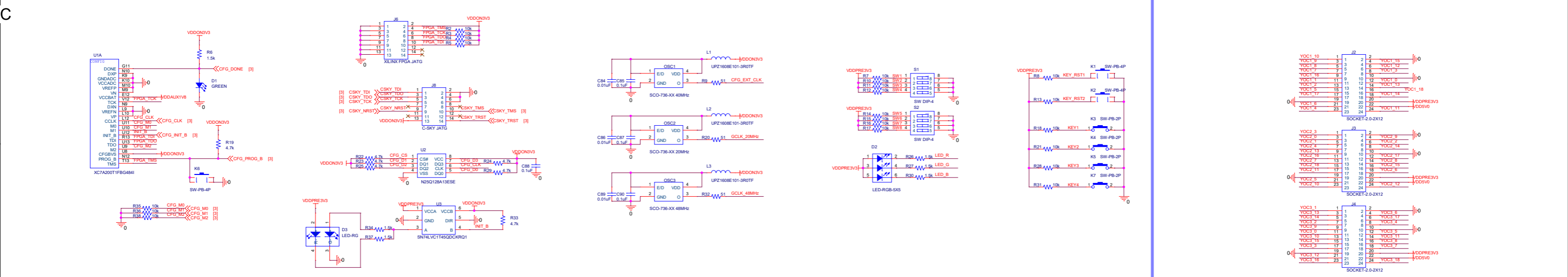
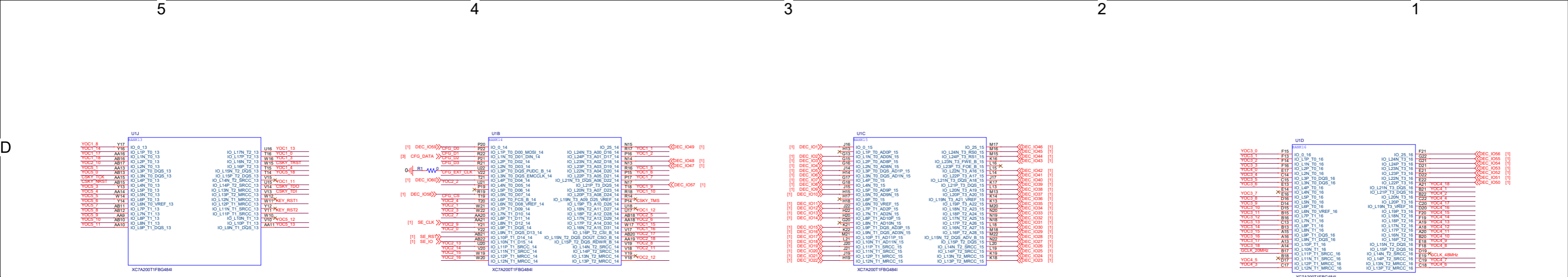


XC7A200T1FBG484 Required PCB Capacitor Quantities:  
 VCCINT: 680uF \*1; 4.7uF \*12; 0.47uF \*14;  
 VCCBRAM: 100uF \*1; 0.47uF \*3;  
 VCCAUX: 47uF \*1; 4.7uF \*3; 0.47uF \*5;  
 VCCBANK0: 4.7uF \*1;  
 VCCBANK13: 47uF \*1; 4.7uF \*2; 0.47uF \*4;  
 VCCBANK14: 47uF \*1; 4.7uF \*2; 0.47uF \*4;  
 VCCBANK15: 47uF \*1; 4.7uF \*2; 0.47uF \*4;  
 VCCBANK16: 47uF \*1; 4.7uF \*2; 0.47uF \*4;  
 VCCBANK34: 47uF \*1; 4.7uF \*2; 0.47uF \*4;  
 VCCBANK35: 47uF \*1; 4.7uF \*2; 0.47uF \*4;



Size	Drawing Title	Rev
A3	XC7A200T DEV	
	Page Title	<RevC
	DECOUPLING	

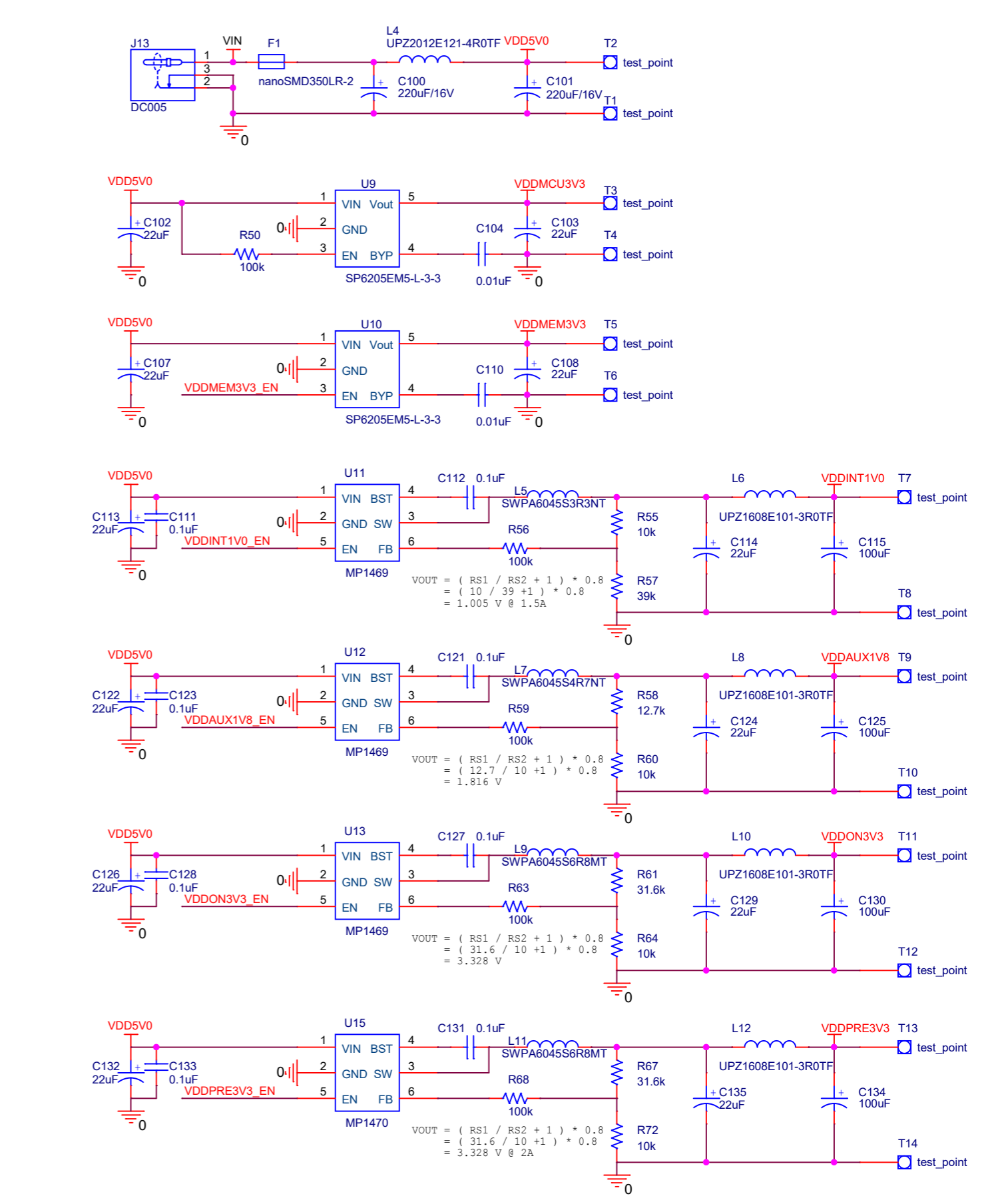
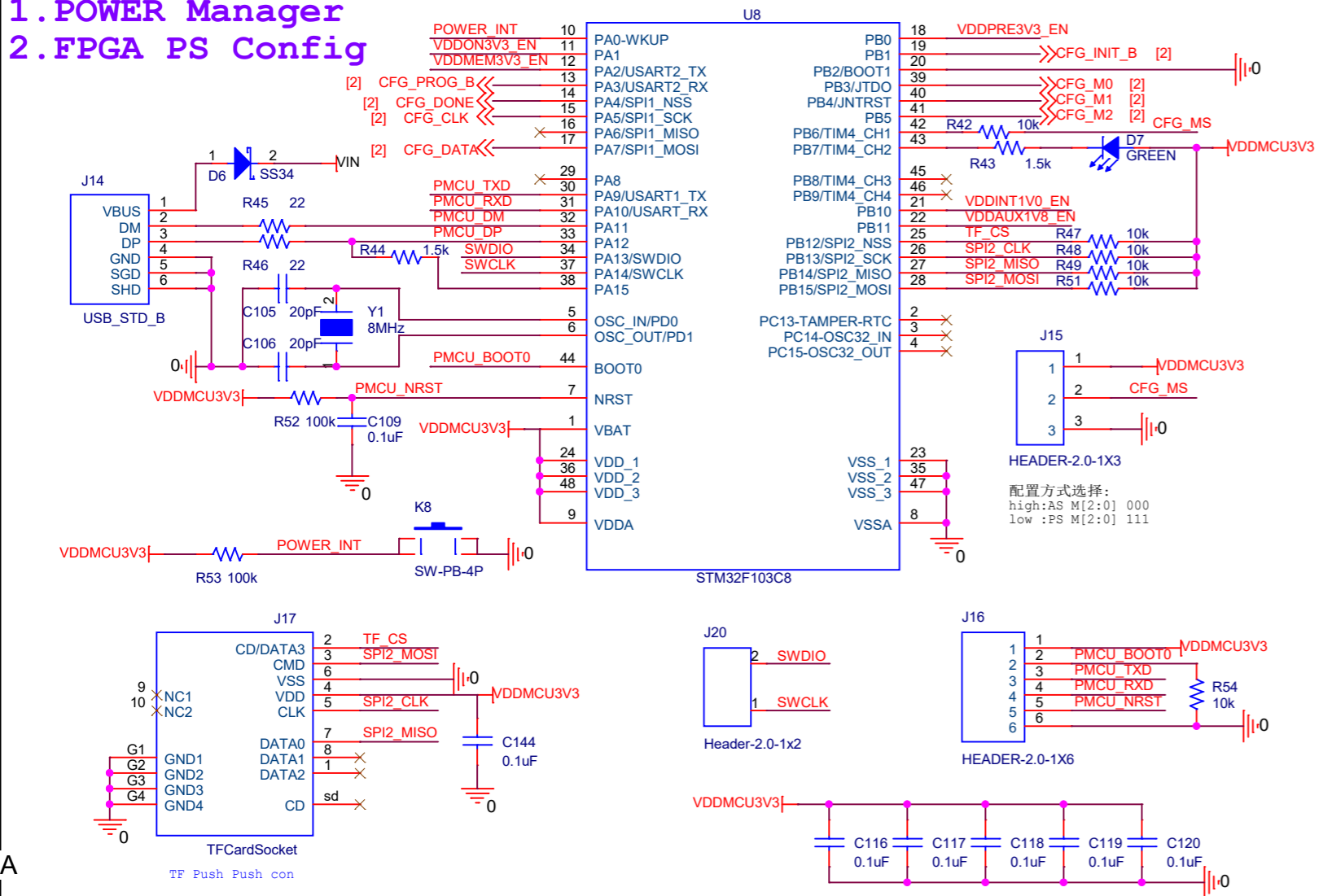


C-SKY HANGZHOU C-SKY MICROSYSTEM CO.,LT

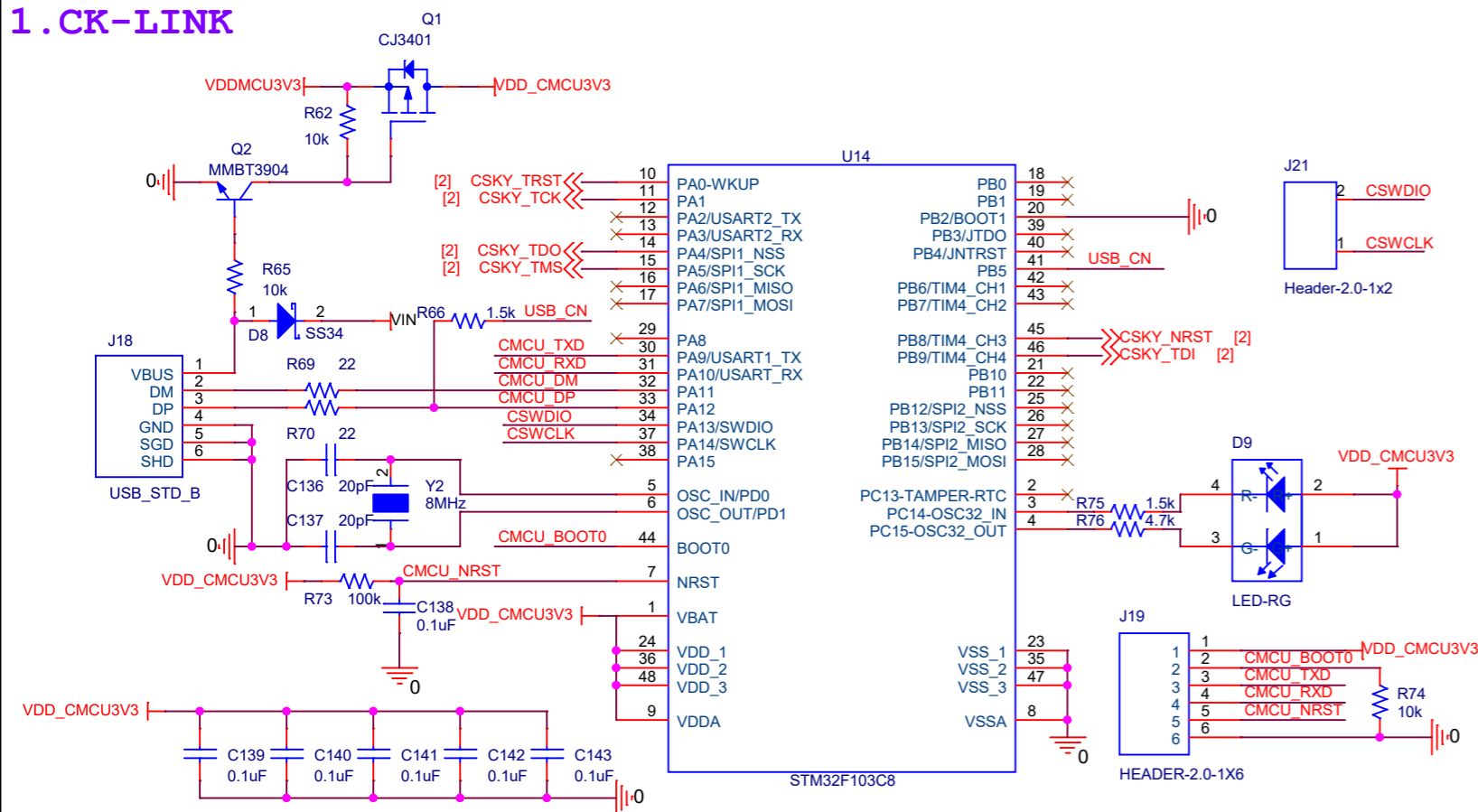
Size	Drawing Title	Rev
A3	X7A200T DEV	<RevC>
Date:	Page Title	Sheet
Friday, April 28, 2017	FPGA	2 of 3

NCE:Chip Select Input/Chip Enable  
 NOE:Out Put Enable  
 NWE:Write Enable  
 NZZ:Low Power Control  
 BSSL0/1/2/3:Lower Byte / Upper Byte

**Function:**  
**1. POWER Manager**  
**2. FPGA PS Config**



**Function:**  
**1. CK-LINK**



- VDDMCU3V3: STM32电源, 上电开机, 优先级0;
- VDDINT1V0: FPGA VCCINT & VCCBRAM电源, 优先级1;
- VDDAUX1V8: FPGA VCCAUX1V8电源, 优先级2;
- VDDON3V3: FPGA 3.3V BANK电源, 优先级3;
- VDDMEM3V3: FLASH & PSRAM电源, 优先级3;
- VDDPRE3V3: 外设电源, 优先级4。

**C-SKY HANGZHOU C-SKY MICROSYSTEM CO.,LT**

Size	Drawing Title XC7A200T DEV	Rev
A3	Page Title POWER MANAGER	<RevC
Date:	Friday, April 28, 2017	Sheet 3 of 3